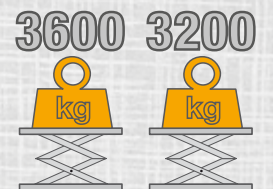


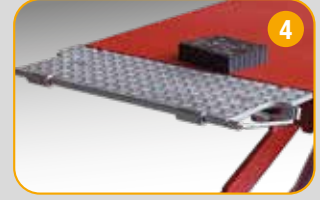
PSC 3600C EF
PSC 3200C EF



C-LINE

Lifting equipment

EN → **Electrohydraulic underbody double scissors type lift**, for tyre specialists, car workshops, and body repairers



Electrohydraulic underbody double scissors type lift, for tyre specialists, car workshops, and body repairers.
Alignment of the runways with a dual **MASTER/SLAVE** circuit (**two cylinders per runboard**) without mechanical safety racks.
Runboards version with flaps (F).
All models available in both on-floor and flush installation versions.

- 1 Unique arm geometry for maximum stiffness and minimised space usage. Special **lift linkage**, for lifting loads even from the lowest lift height.
- 2 **Adjustment bolts** with rubber to cushion the end of the stroke.
- 3 Generously sized, **self-lubricating sliding blocks**.
- 4 **Runways with suspended flaps** which also act as vehicle access ramps.

EN → Supplied accessories

All models complete with:

- ✓ Self-lubricating bushings on all rotating parts
- ✓ Set of 4 rubber pads

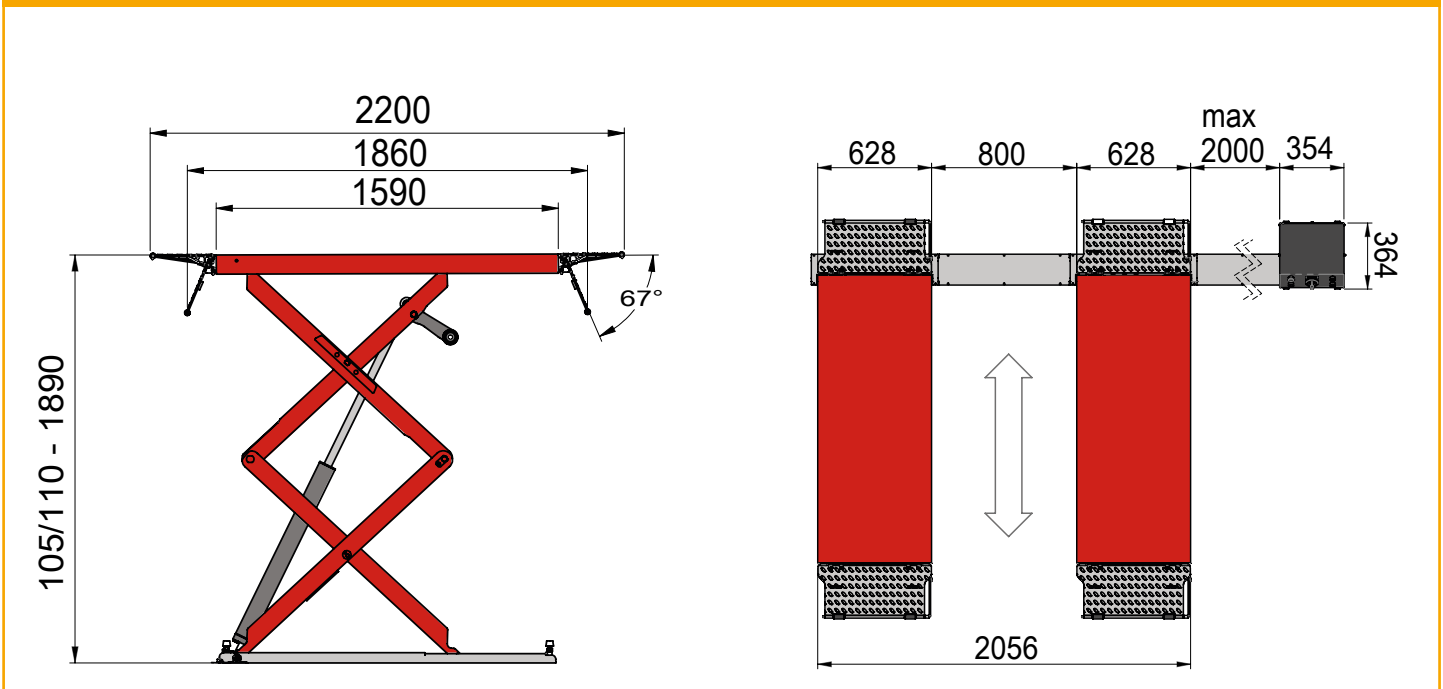
EN → Optional accessories

- Pair of cross pieces and pads for off-road vehicles
- Kit for pit installations

EN → Technical Data

Model	PSC 3600C EF	PSC 3200C EF
Lift capacity	3600 kg	3200 kg
Lifting time	45 s	
Three phase motor	400/230V - 3kW - 3Ph - 50/60Hz	
Single phase motor	230V - 3kW - 1Ph - 50/60Hz	
Max. lifting height	1890 mm	
Lift min. height	110 mm	105 mm

EN → Overall Dimensions PSC 3200C EF - PSC 3600C EF



The manufacturer reserves the right to modify the features of its products at any time.

Cod. DPSC000449B - 01/2023